



10AX Metal Clad Switches (Modular)



Electrophoretically coated plates and back boxes provide a durable and long lasting heavy duty finish to the Metal Clad range of products.

All switch products are of modular construction allowing the installer total freedom in designing customised switching solutions according to on-site needs.

10AX Plate Switches (Modular)

Product Range

10AX Plate Switches (Modular)

CL010	10AX 1 Gang 1 Way Plate Switch
CL011	10AX 1 Gang 2 Way Plate Switch
CL012	10AX 2 Gang 2 Way Plate Switch
CL013	10AX 3 Gang 2 Way Plate Switch
CL019	10AX 4 Gang 2 Way Plate Switch
CL105	10AX 6 Gang 2 Way Plate Switch
CL025	10AX Intermediate Plate Switch

10AX Plate Switches (No Knockouts In Back Box)

CL011B	10AX 1 Gang 1 Way Plate Switch
CL012B	10AX 1 Gang 2 Way Plate Switch



CL010, CL011, CL025



CL012



CL013



CL019



CL105

Errors & Omissions excluded. Specification is subject to change without notice. All Metal Clad 10AX Switches are provided with 40mm deep back boxes.

V1.0

Scolmore International Ltd, 1 Scolmore Park, Landsberg, Lichfield Road Ind. Estate, Tamworth, Staffordshire, B79 7XB

Telephone: 01827 63454

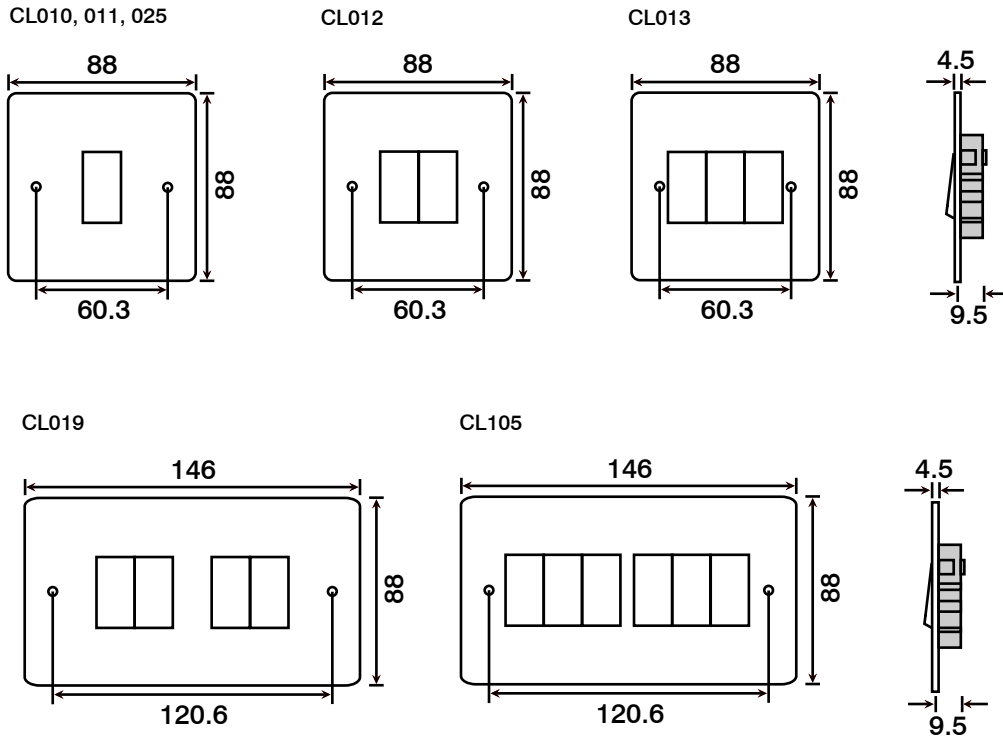
E-mail: sales@scolmore.com, technical@scolmore.com

Facsimile: 01827 63362

Website: www.scolmore.com

10AX Plate Switches (Modular)

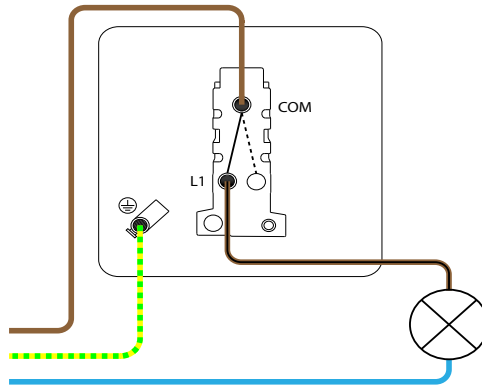
Product Dimensional Drawings (mm)



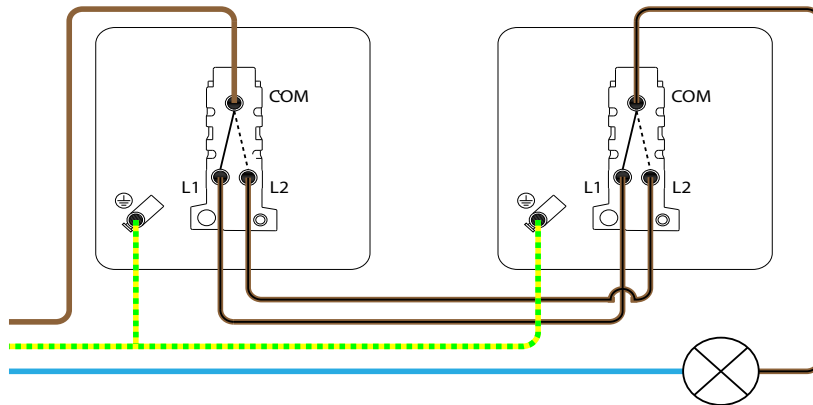
10AX Plate Switches (Modular)

Wiring Diagrams

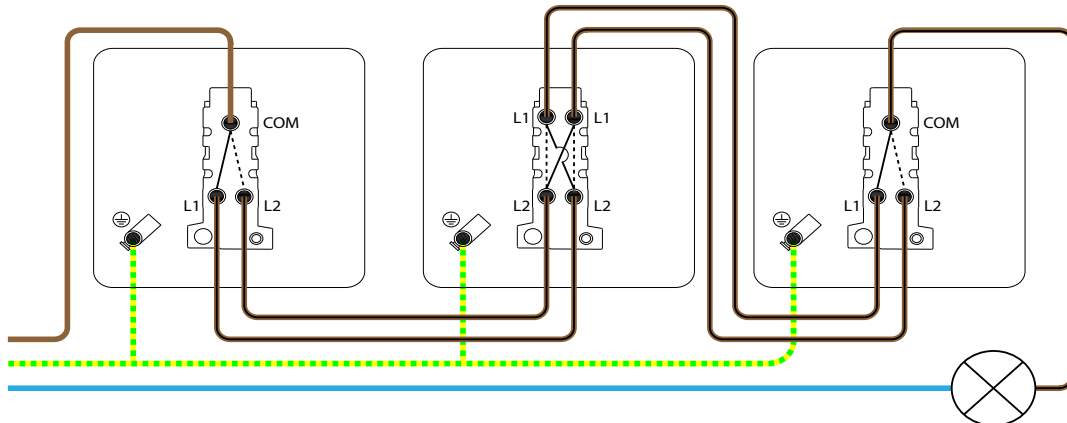
1 Way Switched Circuit



2 Way Switched Circuit



Intermediate Switched Circuit



Errors & Omissions excluded. Specification is subject to change without notice.

V1.0

Scolmore International Ltd, 1 Scolmore Park, Landsberg, Lichfield Road Ind. Estate, Tamworth, Staffordshire, B79 7XB

Telephone: 01827 63454

E-mail: sales@scolmore.com, technical@scolmore.com

Facsimile: 01827 63362

Website: www.scolmore.com

10AX Plate Switches (Modular)

Technical Specification

10AX Plate Switches (Modular)

Material Composition	Front Plate & Back Box: Electrophoretically Coated Steel Rocker Switch & Rear Housing: Urea Terminals: Brass Earth Strap: Mild Steel Terminal Screws: Steel & Yellow Passivated Silver "on-lay" Copper / Brass Contacts
Voltage	240V~ 50Hz
Current Rating	10AX (suitable for inductive loads)
Terminal Size	3.5mm \varnothing
Torque Value	0.4Nm
Cable Size	4 x 1.5mm ² or 2 x 2.5mm ²
Back Box Depth	40mm Provided
Knockout Sizes	20mm
Modular	Yes
Warranty	10 Years
IP Rating	IP20
Operational Temperature	-5° to +40°C
Standards	The Low Voltage Directive 2006/95/EC BS EN 60669-1:1999 + A1:2002 + A2:2008

Additional Information

Ensure that the mains supply is isolated before commencing installation and refer to the circuit diagram with the relevant product.

Bare earth cables must always be covered with appropriate sleeving and wired to the earth terminal.

DECLARATION OF CONFORMITY

1. *Issuer Name* Scolmore International Limited
2. *Issuer Address* 1 Scolmore Park, Landsberg,
Lichfield Road Industrial Estate,
Tamworth, Staffordshire, B79 7XB
3. *Object(s) of Declaration* Metal Clad Range
- a. *Group* Switches
- b. *Model No.* CL010, CL011, CL011B, CL012, CL012B, CL013, CL019, CL025, CL105

4. *The object of the declaration described above is in conformity with the requirements of the following Legislations:*

Document No	Title
2006/95/EC	Low Voltage Directive

5. *All products contained within the aforementioned comply with the relevant standards and requirements listed below.*

EN 60669-1:1999 + A1:2002 + A2:2008

6. *I hereby declare that the equipment named above has been designed to comply with the relevant sections of the above referenced specifications. The unit complies with all applicable Essential Requirements of the Directives.*

In conjunction with the above all manufacture and process controls are in accordance with ISO 9001:2008

Signed, for and on behalf of: Scolmore International Limited



Steven Bettson BSc - Senior Technical Support Engineer

CE 13